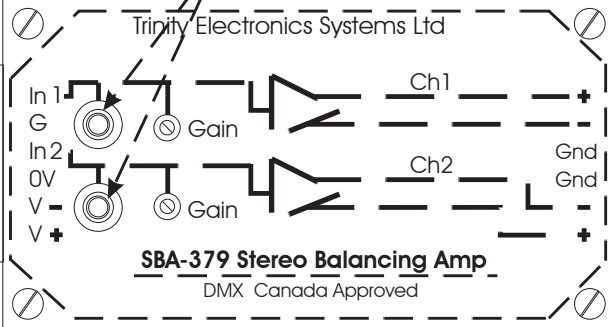
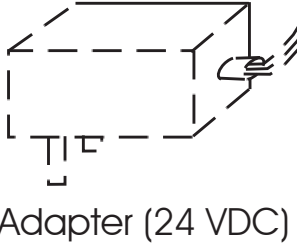


RCA jacks - alternate connection for input signal

Right Signal Input
Left Signal Input



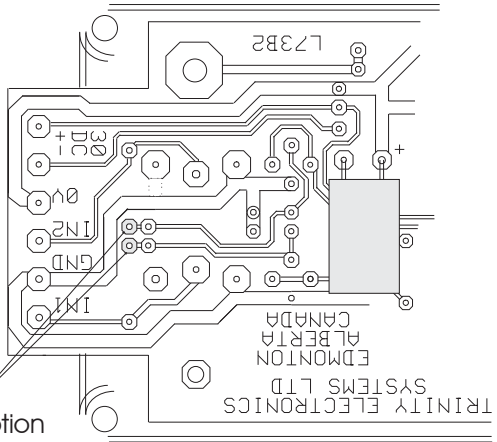
Right Output
Left Output



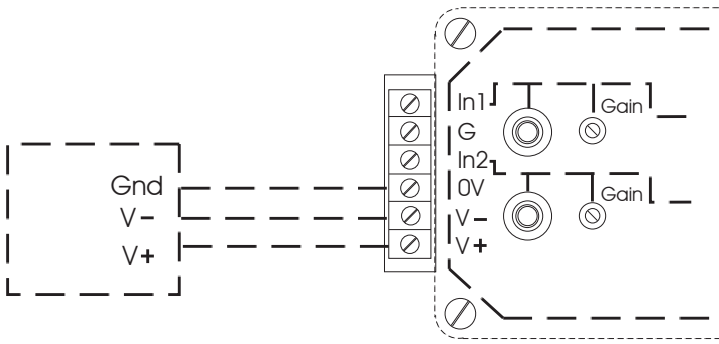
Adapter (24 VDC)

Negative lead has white stripe

Bottom of printed circuit board



To convert to sum-to-mono option flow solder between these two pads



Optional Bipolar DC Supply (+12 to +17 VDC)

Trinity Electronics Systems Ltd				
Edmonton, Alberta, Canada				
SBA-379 Stereo Balancing Amplifier				
Drawn LP	Date 20/Jun/96	Drawing WIRING4b.CDR	Rev A2	Sht. 1/1