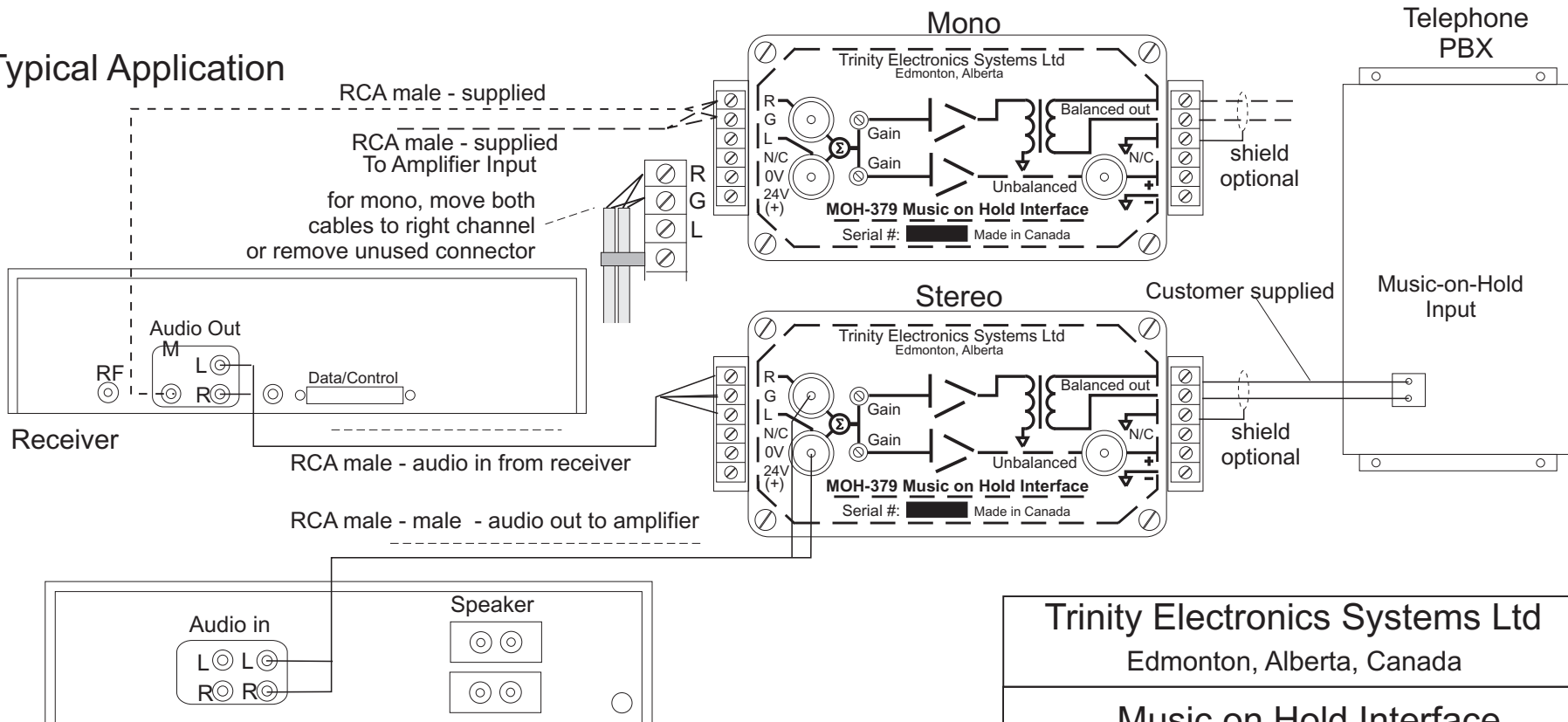


Typical Application



Trinity Electronics Systems Ltd
Edmonton, Alberta, Canada

Music on Hold Interface

Drawn GSW	Date 11/Dec/96	Drawing mohwir1.cdr	Rev A2	Sht. 1/1
--------------	-------------------	------------------------	-----------	-------------